



Adjustable Body Mounts Assembly Instructions

Covers Part #8316

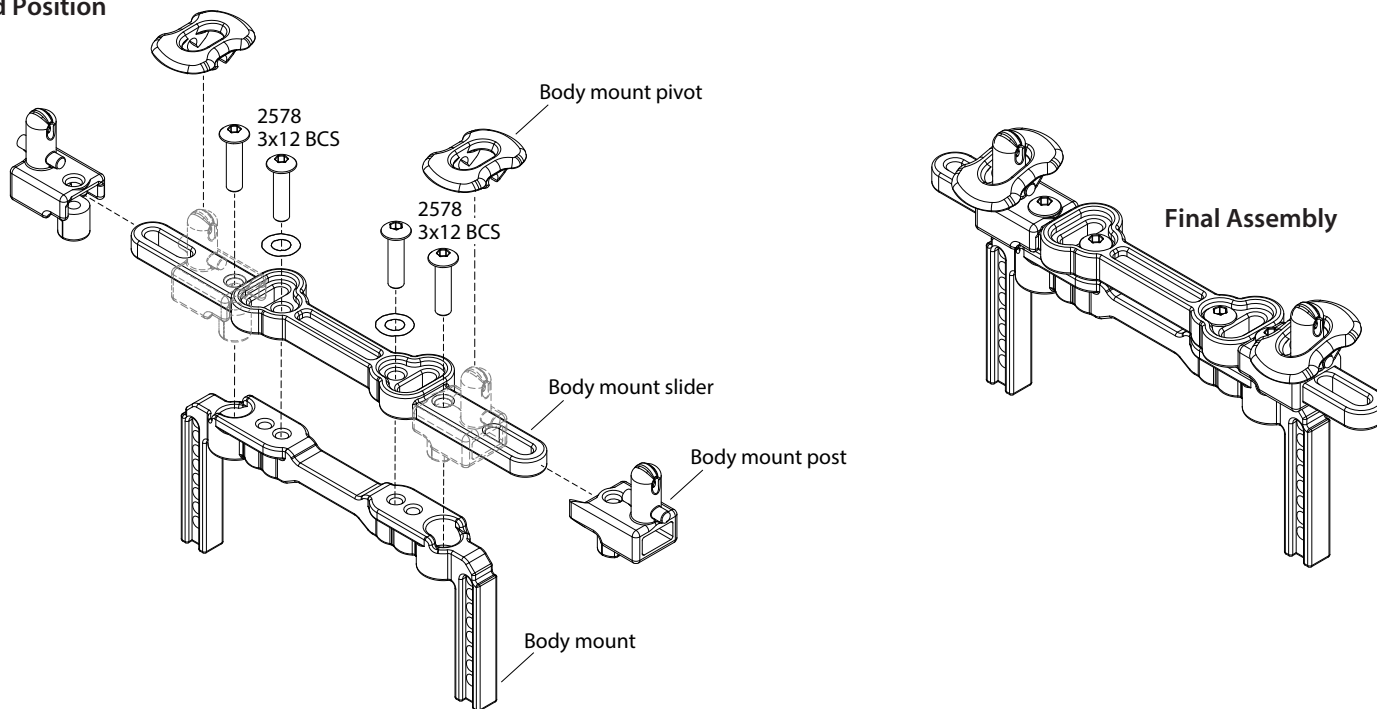
Kit contents:

- Front body mount (1)
- Rear body mount (1)
- Body mount slider (2)
- Body mount post (4)
- Body mount pivot (4)

Tool required:

- 2.0mm hex wrench

Fixed Position



Adjustable Position

